

Manufacturer: **Jakob Hatteland Display AS**
 Product: **17.0 inch Maritime Multi Display (MMD)**
 Type: **JH 17T02 MMD**

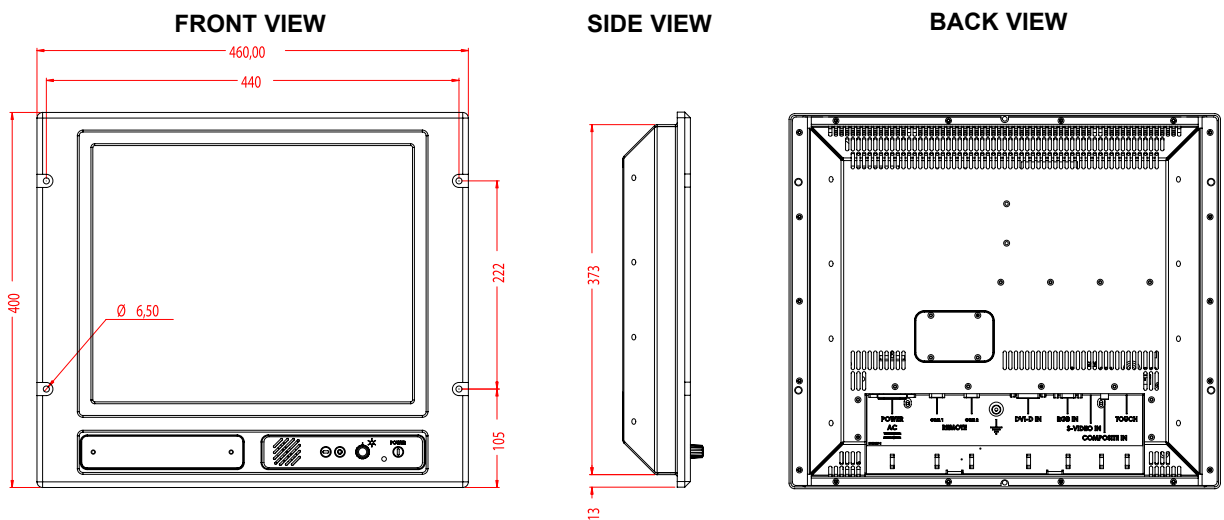
Last Revised: **27 Apr 2006**
 Revision#: **4**

17.0 inch Maritime Multi Display (MMD)

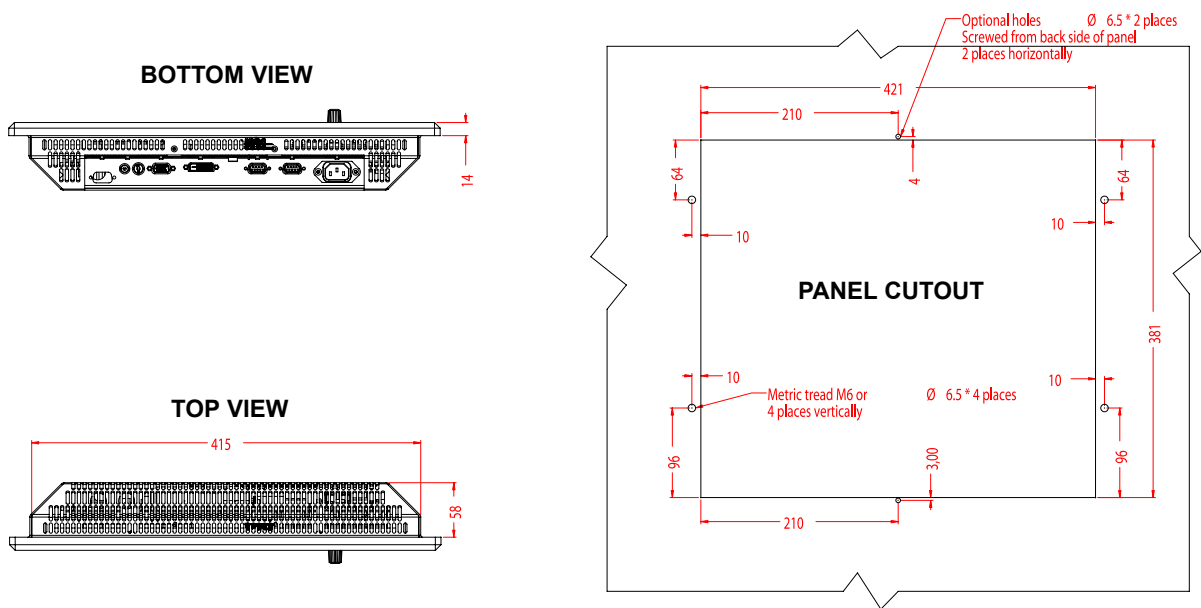
Features:

The color display described in this Data Sheet is an industrialized version of a high quality SAMSUNG TFT based display with SPVA (Super Patterned Vertical Alignment) mode. The MMD allows you to display professional applications with clarity and enhanced color and image quality. The MMD have DVI-D Input, RGB Input, Video Input (Composite/SVHS) and PiP (Picture in Picture) functions.

The controller and the high light intensity in combination with the high contrast and wide backlight adjustment control, allow the product to be used in many environments. Brightness is adjustable from 0 to 100%



Due to dimensions without decimals, the tolerance on drawings is +/- 1mm (For accurate measurements, measure in AutoCAD)



This information may not, in whole or in part, be copied, photocopied, reproduced, translated or reduced to any electronic medium or machine-readable form without the prior written consent of Jakob Hatteland Display AS. The products may not be copied or duplicated in any way.

Note: All specifications are subject to change without prior notice!

TECHNICAL DESCRIPTION

TFT Technology:

- 17.0 inch viewable image size
- a-Si TFT (Thin Film Transistor) Active Matrix
- SPVA (Super Patterned Vertical Alignment) mode

TFT Characteristics:

- Pixel Number : 1280 x 1024
- Pixel Pitch (RGB) : 0.264 (H) x 0.264 (V) mm
- Response Time : 15 ms (typical), "black" to "white"
- Contrast Ratio : 1000:1 (typical)
- Light Intensity : 280 cd/m2 (typical)
- Viewable Angle : +/- 89 deg. (typical) (Up/Down/Left/Right)
- Active Display Area : 337.92 (H) x 270.336 (V) mm
- Max Colors : 16.7 millions (depending on graphics card)

Synchronisation:

Sync Signal:

- Digital separate synchronisation
- Composite synchronisation
- Synchronisation on green.
- Auto detects VGA -> SXGA, interlaced and non interlaced
- Video Signal : Analog RGB 0,7Vp-p
: Input Impedance 75 Ohm

Synchronisation Range:

- Horizontal : 31,5 kHz to 91,1 kHz
- Vertical : 60 Hz* to 85 Hz

* Recommended for optimum picture quality

Supported Signal Inputs:

Resolutions:

- VGA : 640 x 480 (including 640 x 350)
- SVGA : 800 x 600 (including 720 x 400)
- XGA : 1024 x 768
- SXGA : 1280 x 1024 *

Video Signals:

- Interlaced NTSC and PAL/SECAM video
- Composite video
- S-Video

* Recommended for optimum picture quality

Power Specifications:

Power Supply Options:

- 115 & 230VAC - 50 / 60Hz : Model JH 17T02 MMD A1
- 24 VDC : Model JH 17T02 MMD A2

Power Consumption:

- Operating : 60 W (max)

MECHANICAL DESCRIPTION

Physical Dimensions:

- 460 (W), 400 (H), 57 (D) mm
- Weight: 9.2 kg (approx w/bracket)

Input Signal Terminal:

- DVI-D (PC) signal : DVI-D Input 24pin Connector
- RGB (PC) signal : 15pin mini D-SUB (female - Input)
- Composite Video : RCA Phono plug
- S-Video signal : S-Video (SVHS) plug
- AC Power signal : Std IEC Inlet Model JH 17T02 MMD A1
- DC Power signal : Screw terminal Model JH 17T02 MMD A2

Accessories:

- Touchscreen : 1 x D-SUB 9P Connector (female)
- Remote Control : 2 x D-SUB 9P Connectors (female)

User Controls:

On front bezel:

- Power On/Off (push button)
- Brightness Control
- 2 x hotkeys
- Mode Status LED

Behind hatch:

- On Screen Display control (OSD/OSM)

Environmental Considerations:

- Operating : Temperature -15 deg. C to +55 deg. C
Humidity 30% to 90% (non condensing)
- Storage : Temperature -20 deg. C to +60 deg. C
Humidity 10% to 90% (non condensing)

Safety Considerations:

Even although the test conditions for bridge units provide for a maximum operating temperature of 55°C, continuous operation of all electronic components should, if possible, take place at ambient temperatures of only 25°C. This is a necessary prerequisite for long life and low service costs.

Available Options:

- JH MMD BR = Bracket *
- JH MMDRO = Rotary Bracket *
- JH 17TSV = Sun Visor *
- JH VESA 17T01 = Vesa Bracket *
- JH VBUF = Video Buffer **(1)**
- JH SCOM = Remote Control
- JH XPR= External Power Relay
- Touch Screen = Factory mounted

*Option: Standard or custom logo and color

*Option: See separate datasheet for specifications on bracket options.

(1) The JHVBUF is tested at resolutions up to 1600 x 1200. Both separate sync and composite sync is supported. The VGA output signal is at same resolution and sync as the input. The output is working even if the main display is turned off. (Power supply must be connected though)

Compass Safe Distance: JH 17T02 MMD

Standard: 90cm

Steering: 70cm

APPROVALS & CERTIFICATES

This product have been tested / type approved by the following classification societies:

EN60945 4th (IEC945 4th)

EN60529 (IP66) (Applies only for flush mounting)

ClassNK - Nippon Kaiji Kyokai

ABS - American Bureau of Shipping

BV - Bureau Veritas